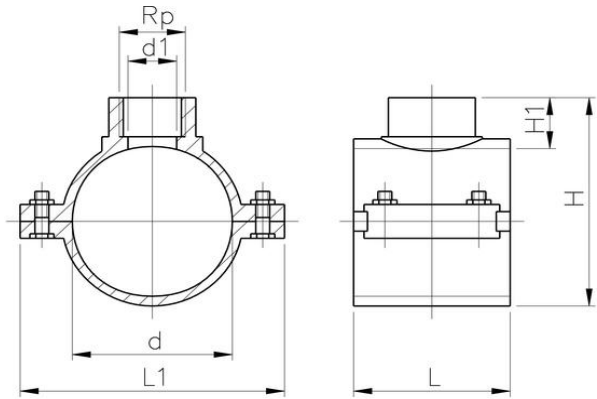




**Anbohrschelle Typ 654**

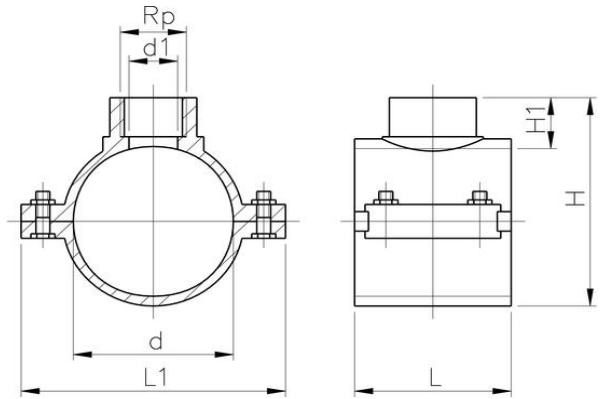
- Material: PP
- Farbe: blau
- PN 16, Wasser
- Edelstahlverstärkungsring (AISI 430)
- Schrauben verzinkt
- Gewinde entspr. ISO 7/1
- Kombi-Dichtung NBR (O-Ring mit Flachdichtung)
- (\*) = mit O-Ring Dichtung
- n = Anzahl der Schrauben
- M = Schraubentyp



| d   | Rp"    | PN | n | M     | d1 | L   | L1  | H   | H1 | Bestell Nr.           | kg    |
|-----|--------|----|---|-------|----|-----|-----|-----|----|-----------------------|-------|
| *20 | 1/2"   | 16 | 2 | M8x40 | 12 | 46  | 77  | 59  | 26 | <b>85 654 020 012</b> | 0,119 |
| *25 | 1/2"   | 16 | 2 | M8x30 | 13 | 49  | 79  | 58  | 15 | <b>85 654 025 012</b> | 0,110 |
| *25 | 3/4"   | 16 | 2 | M8x30 | 13 | 49  | 79  | 58  | 15 | <b>85 654 025 034</b> | 0,123 |
| *32 | 1/2"   | 16 | 2 | M8x30 | 14 | 49  | 79  | 62  | 20 | <b>85 654 032 012</b> | 0,103 |
| *32 | 3/4"   | 16 | 2 | M8x30 | 14 | 49  | 79  | 62  | 20 | <b>85 654 032 034</b> | 0,115 |
| *32 | 1"     | 16 | 2 | M8x40 | 14 | 62  | 87  | 70  | 20 | <b>85 654 032 100</b> | 0,162 |
| 40  | 1/2"   | 16 | 2 | M8x40 | 21 | 62  | 86  | 71  | 20 | <b>85 654 040 012</b> | 0,135 |
| 40  | 3/4"   | 16 | 2 | M8x40 | 21 | 62  | 86  | 71  | 20 | <b>85 654 040 034</b> | 0,146 |
| 40  | 1"     | 16 | 2 | M8x40 | 21 | 62  | 86  | 70  | 19 | <b>85 654 040 100</b> | 0,153 |
| 50  | 1/2"   | 16 | 4 | M8x40 | 21 | 62  | 86  | 82  | 20 | <b>85 654 050 012</b> | 0,196 |
| 50  | 3/4"   | 16 | 4 | M8x40 | 21 | 62  | 86  | 82  | 20 | <b>85 654 050 034</b> | 0,209 |
| 50  | 1"     | 16 | 4 | M8x40 | 21 | 62  | 86  | 82  | 20 | <b>85 654 050 100</b> | 0,217 |
| 50  | 1 1/4" | 16 | 4 | M8x40 | 21 | 62  | 86  | 82  | 20 | <b>85 654 050 114</b> | 0,221 |
| 63  | 1/2"   | 16 | 4 | M8x40 | 18 | 62  | 101 | 96  | 21 | <b>85 654 063 012</b> | 0,212 |
| 63  | 3/4"   | 16 | 4 | M8x40 | 24 | 62  | 101 | 96  | 21 | <b>85 654 063 034</b> | 0,222 |
| 63  | 1"     | 16 | 4 | M8x40 | 31 | 62  | 101 | 96  | 21 | <b>85 654 063 100</b> | 0,222 |
| 63  | 1 1/4" | 16 | 4 | M8x40 | 31 | 62  | 101 | 96  | 21 | <b>85 654 063 114</b> | 0,268 |
| 63  | 1 1/2" | 16 | 4 | M8x40 | 31 | 62  | 101 | 96  | 21 | <b>85 654 063 112</b> | 0,275 |
| 75  | 1/2"   | 16 | 4 | M8x60 | 16 | 79  | 123 | 102 | 14 | <b>85 654 075 012</b> | 0,364 |
| 75  | 3/4"   | 16 | 4 | M8x60 | 21 | 79  | 123 | 104 | 16 | <b>85 654 075 034</b> | 0,376 |
| 75  | 1"     | 16 | 4 | M8x60 | 27 | 79  | 123 | 107 | 19 | <b>85 654 075 100</b> | 0,384 |
| 75  | 1 1/4" | 16 | 4 | M8x60 | 35 | 79  | 123 | 109 | 21 | <b>85 654 075 114</b> | 0,421 |
| 75  | 1 1/2" | 16 | 4 | M8x60 | 42 | 79  | 123 | 109 | 21 | <b>85 654 075 112</b> | 0,428 |
| 75  | 2"     | 16 | 4 | M8x60 | 53 | 79  | 123 | 112 | 24 | <b>85 654 075 200</b> | 0,437 |
| 90  | 1/2"   | 16 | 4 | M8x60 | 16 | 87  | 138 | 116 | 14 | <b>85 654 090 012</b> | 0,412 |
| 90  | 3/4"   | 16 | 4 | M8x60 | 21 | 87  | 138 | 118 | 16 | <b>85 654 090 034</b> | 0,421 |
| 90  | 1"     | 16 | 4 | M8x60 | 27 | 87  | 138 | 121 | 19 | <b>85 654 090 100</b> | 0,432 |
| 90  | 1 1/4" | 16 | 4 | M8x60 | 35 | 87  | 138 | 123 | 21 | <b>85 654 090 114</b> | 0,472 |
| 90  | 1 1/2" | 16 | 4 | M8x60 | 42 | 87  | 138 | 123 | 21 | <b>85 654 090 112</b> | 0,474 |
| 90  | 2"     | 16 | 4 | M8x60 | 53 | 87  | 138 | 126 | 24 | <b>85 654 090 200</b> | 0,481 |
| 110 | 1/2"   | 16 | 6 | M8x50 | 15 | 99  | 152 | 150 | 23 | <b>85 654 110 012</b> | 0,511 |
| 110 | 3/4"   | 16 | 6 | M8x50 | 20 | 99  | 152 | 150 | 23 | <b>85 654 110 034</b> | 0,523 |
| 110 | 1"     | 16 | 6 | M8x50 | 26 | 99  | 152 | 150 | 23 | <b>85 654 110 100</b> | 0,533 |
| 110 | 1 1/4" | 16 | 6 | M8x50 | 35 | 99  | 152 | 150 | 23 | <b>85 654 110 114</b> | 0,565 |
| 110 | 1 1/2" | 16 | 6 | M8x50 | 41 | 99  | 152 | 150 | 23 | <b>85 654 110 112</b> | 0,566 |
| 110 | 2"     | 16 | 6 | M8x50 | 51 | 99  | 152 | 150 | 23 | <b>85 654 110 200</b> | 0,570 |
| 140 | 1/2"   | 16 | 6 | M8x70 | 18 | 114 | 207 | 191 | 25 | <b>85 654 140 012</b> | 0,830 |
| 140 | 3/4"   | 16 | 6 | M8x70 | 24 | 114 | 207 | 191 | 25 | <b>85 654 140 034</b> | 0,843 |
| 140 | 1"     | 16 | 6 | M8x70 | 30 | 114 | 207 | 191 | 25 | <b>85 654 140 100</b> | 0,849 |
| 140 | 1 1/4" | 16 | 6 | M8x70 | 38 | 114 | 207 | 191 | 25 | <b>85 654 140 114</b> | 0,880 |
| 140 | 1 1/2" | 16 | 6 | M8x70 | 45 | 114 | 207 | 191 | 24 | <b>85 654 140 112</b> | 0,892 |
| 140 | 2"     | 16 | 6 | M8x70 | 50 | 114 | 207 | 191 | 24 | <b>85 654 140 200</b> | 0,898 |

### Anbohrschelle Typ 654

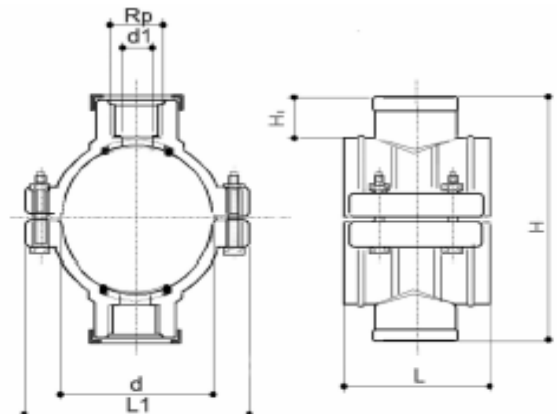
- Material: PP
- Farbe: blau
- PN 16, Wasser
- Edelstahlverstärkungsring (AISI 430)
- Schrauben verzinkt
- Gewinde entspr. ISO 7/1
- Kombi-Dichtung NBR (O-Ring mit Flachdichtung)
- (\*) = mit O-Ring Dichtung
- n = Anzahl der Schrauben
- M = Schraubentyp



| d   | Rp"    | PN | n | M     | d1 | L   | L1  | H   | H1 | Bestell Nr.    | kg    |
|-----|--------|----|---|-------|----|-----|-----|-----|----|----------------|-------|
| 160 | 1/2"   | 16 | 6 | M8x70 | 18 | 114 | 226 | 215 | 24 | 85 654 160 012 | 0,899 |
| 160 | 3/4"   | 16 | 6 | M8x70 | 24 | 114 | 226 | 215 | 24 | 85 654 160 034 | 0,908 |
| 160 | 1"     | 16 | 6 | M8x70 | 30 | 114 | 226 | 215 | 24 | 85 654 160 100 | 0,917 |
| 160 | 1 1/4" | 16 | 6 | M8x70 | 37 | 114 | 226 | 215 | 24 | 85 654 160 114 | 0,950 |
| 160 | 1 1/2" | 16 | 6 | M8x70 | 45 | 114 | 226 | 215 | 24 | 85 654 160 112 | 0,954 |
| 160 | 2"     | 16 | 6 | M8x70 | 51 | 114 | 226 | 215 | 24 | 85 654 160 200 | 0,956 |

### Doppel-Anbohrschelle Typ 664

- Material: PP
- Farbe: blau
- PN 16, Wasser
- Edelstahlverstärkungsring (AISI 430)
- Schrauben verzinkt
- Gewinde entspr. ISO 7/1
- Kombi-Dichtung NBR (O-Ring mit Flachdichtung)
- n = Anzahl der Schrauben
- M = Schraubentyp



| d  | Rp" | PN | n | M     | d1 | L  | L1  | H   | H1 | Bestell Nr.    | kg    |
|----|-----|----|---|-------|----|----|-----|-----|----|----------------|-------|
| 40 | 1"  | 16 | 2 | M8x50 | 21 | 62 | 86  | 89  | 19 | 85 664 040 100 | 0,204 |
| 50 | 1"  | 16 | 4 | M8x50 | 21 | 62 | 86  | 101 | 20 | 85 664 050 100 | 0,278 |
| 63 | 1"  | 16 | 4 | M8x50 | 31 | 62 | 101 | 115 | 21 | 85 664 063 100 | 0,286 |